

DeMaMech Project Report

Masataka NAKAMOTO
KEIO Univ.

Technical University of Berlin
Technical University of Denmark

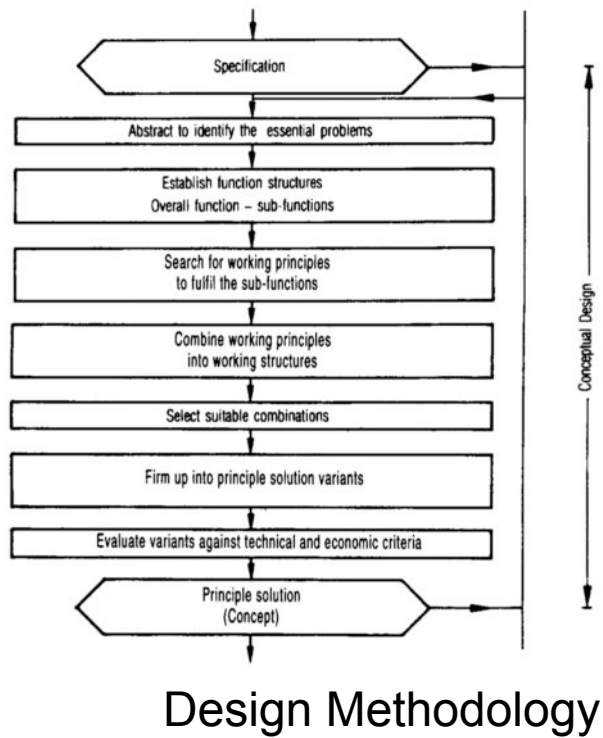
Summary

- From Sep. to Dec.
Research work in T.U.B.
Studying about Design Methodology
- Jan. 2006
3 weeks intensive lecture
 - Good chance to improve English skills
 - Good chance to learn some foreign languages
 - Good chance to understand different cultures

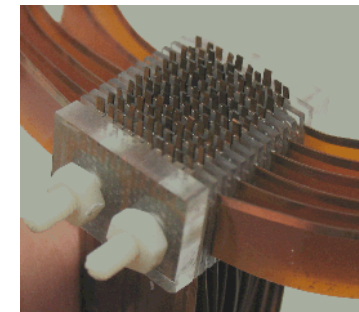
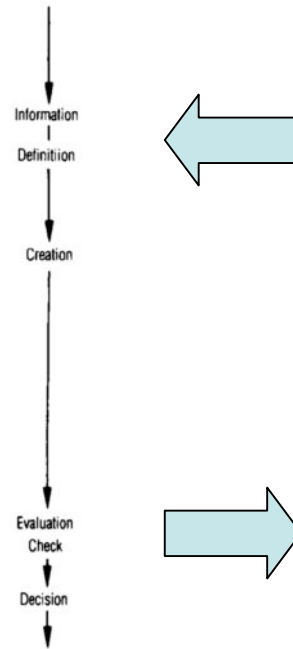


Research in T.U.B.

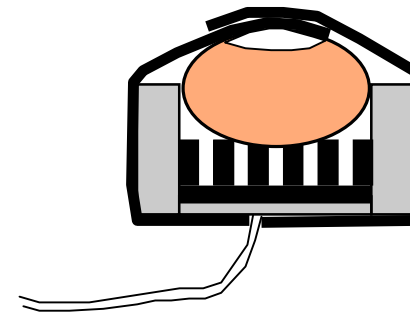
- Redesign of the device (Design Methodology)



Design Methodology



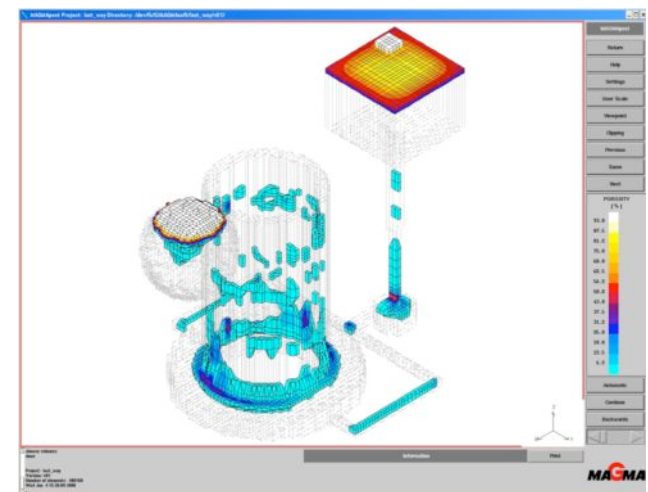
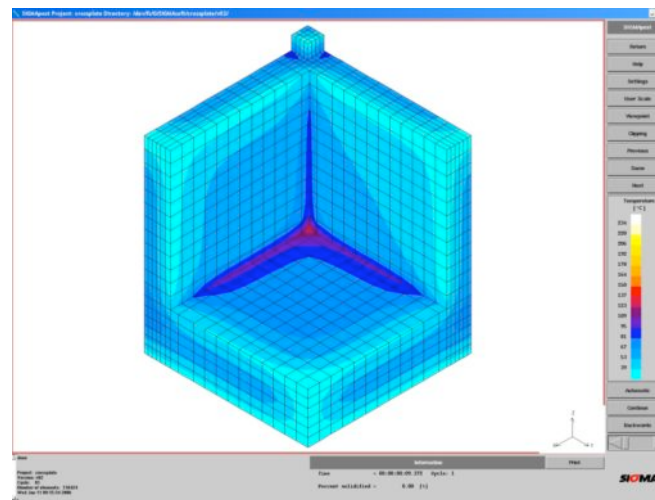
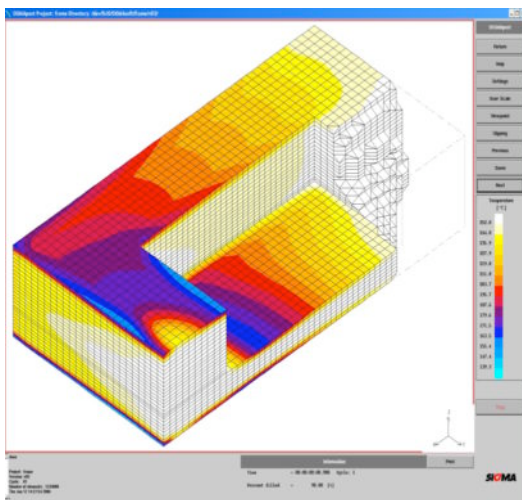
Previous device



New Design

Lecture in D.T.U.

- Laboratory course in process simulation
 1. Metal casting
 2. Linear thermal contraction of the plate
 3. Injection moulding of plastic parts
 4. Bulk metal forming



Exchange student life



Foods of EU



EU countries