

DeMaMech Program Report

Takamasa Matsumoto

Osaka University

Technical University of Berlin

Technical University of Denmark

Summary

From September to December
Technical University of Berlin
Research work

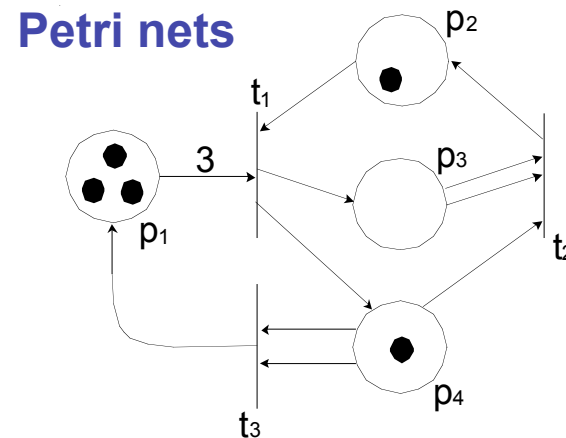
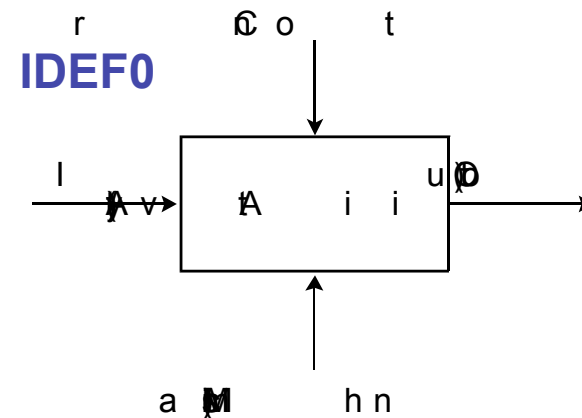
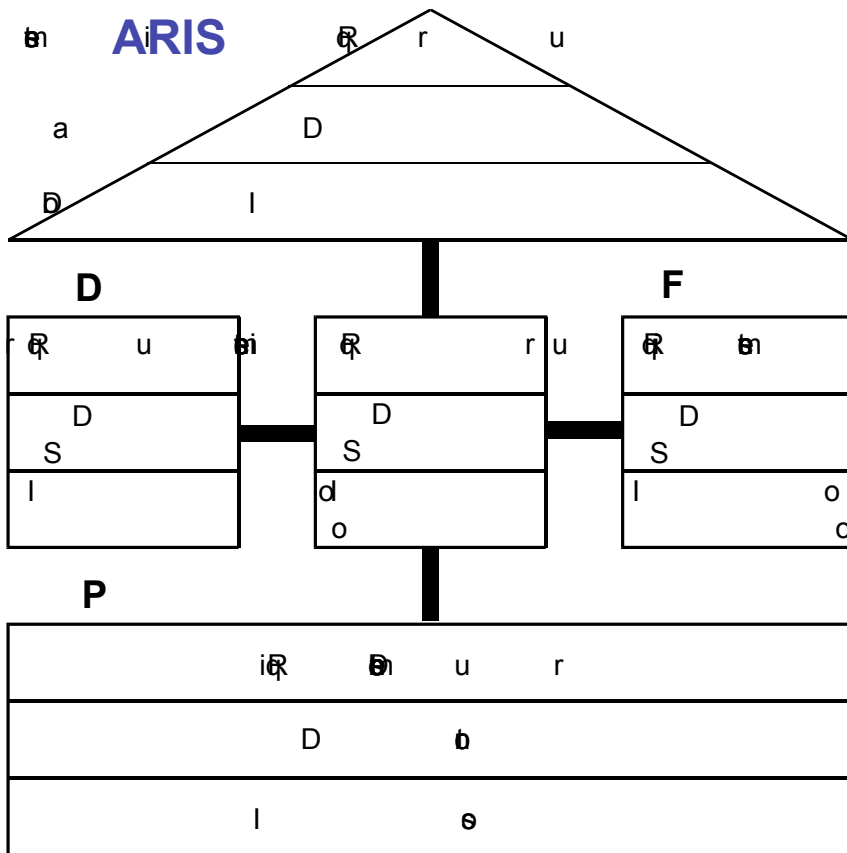
January
Technical University of Denmark
3 weeks Lecture



- Different style lecture
- Difficulty of communication in English
- Many student from various countries
- Cultural Difference

Research (Technical University of Berlin)

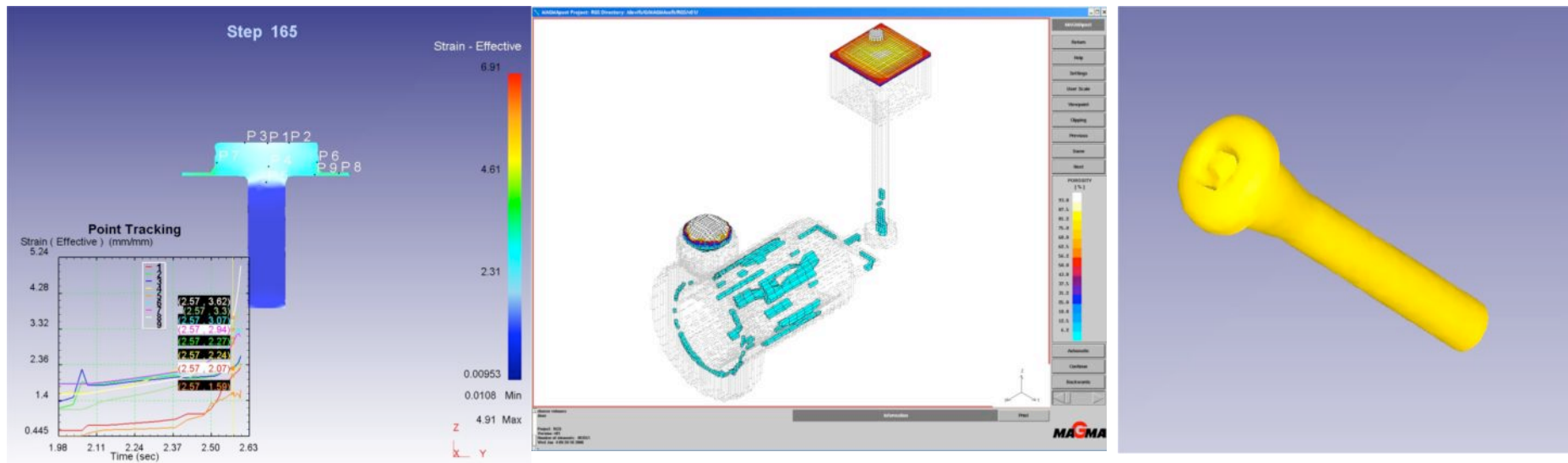
Modeling and Optimization of product development Process



Lecture(Technical University of Denmark)

Laboratory course in process simulation

- Metal casting,
- Linear thermal contraction of a plate
- Injection moulding of Plastic parts
- Bulk metal forming



Exchange Student Life

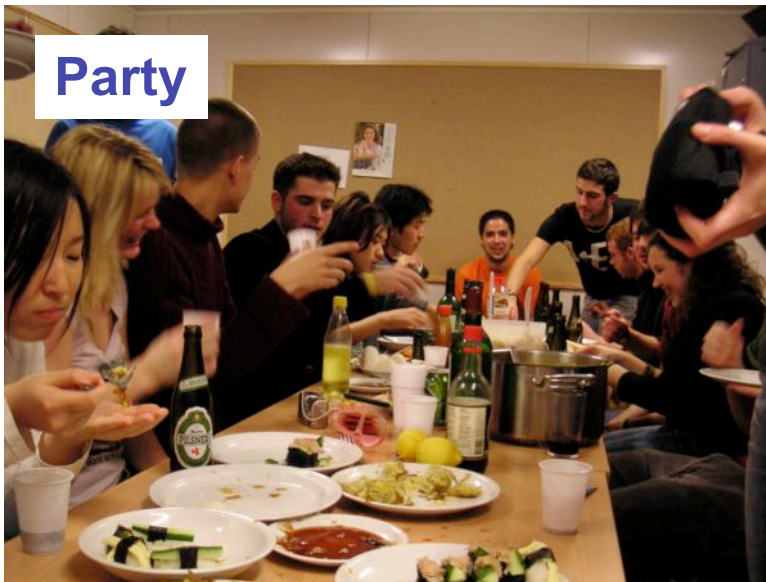
University



Friends



Party



Menza

