

DeMaMech Exchange Student Report

Tomoya NAKAO
The University of Tokyo
Katholieke Universiteit Leuven
Technical University of Denmark

Summary

- 06.09.04-01.01.05

Katholieke Universiteit Leuven

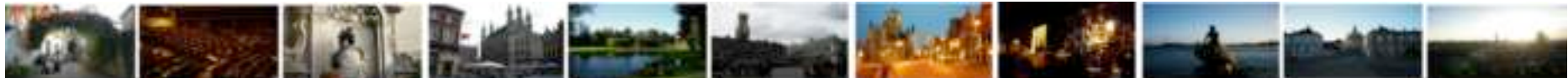
Aim: Doing research

- 02.01.05-21.01.05

Denmark Technical University

Aim: Taking lecture

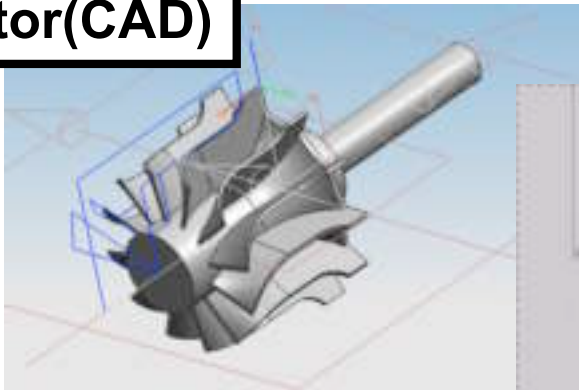
While I stayed in 2 universities, I studied many things, which were not only engineering work but also various sense of value. I also made many international friends during my stay.



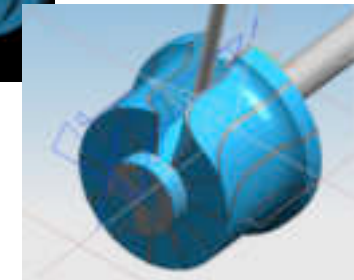
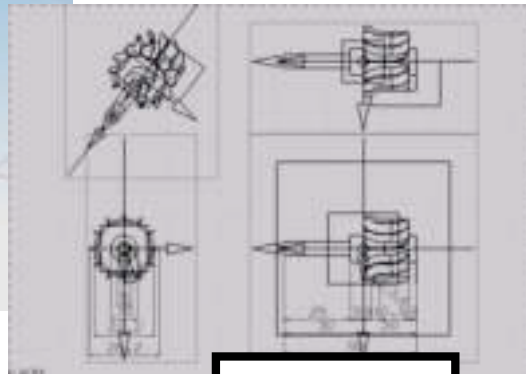
Research(Katholieke Universiteit Leuven)

Subject: Electro-Discharge Machining for a Method of Fabrication for a Rotor of a Micro Gas Turbine Unit

Rotor(CAD)



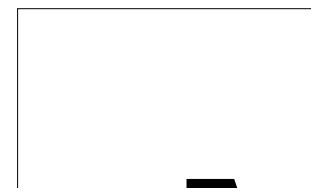
CAM



Experiment

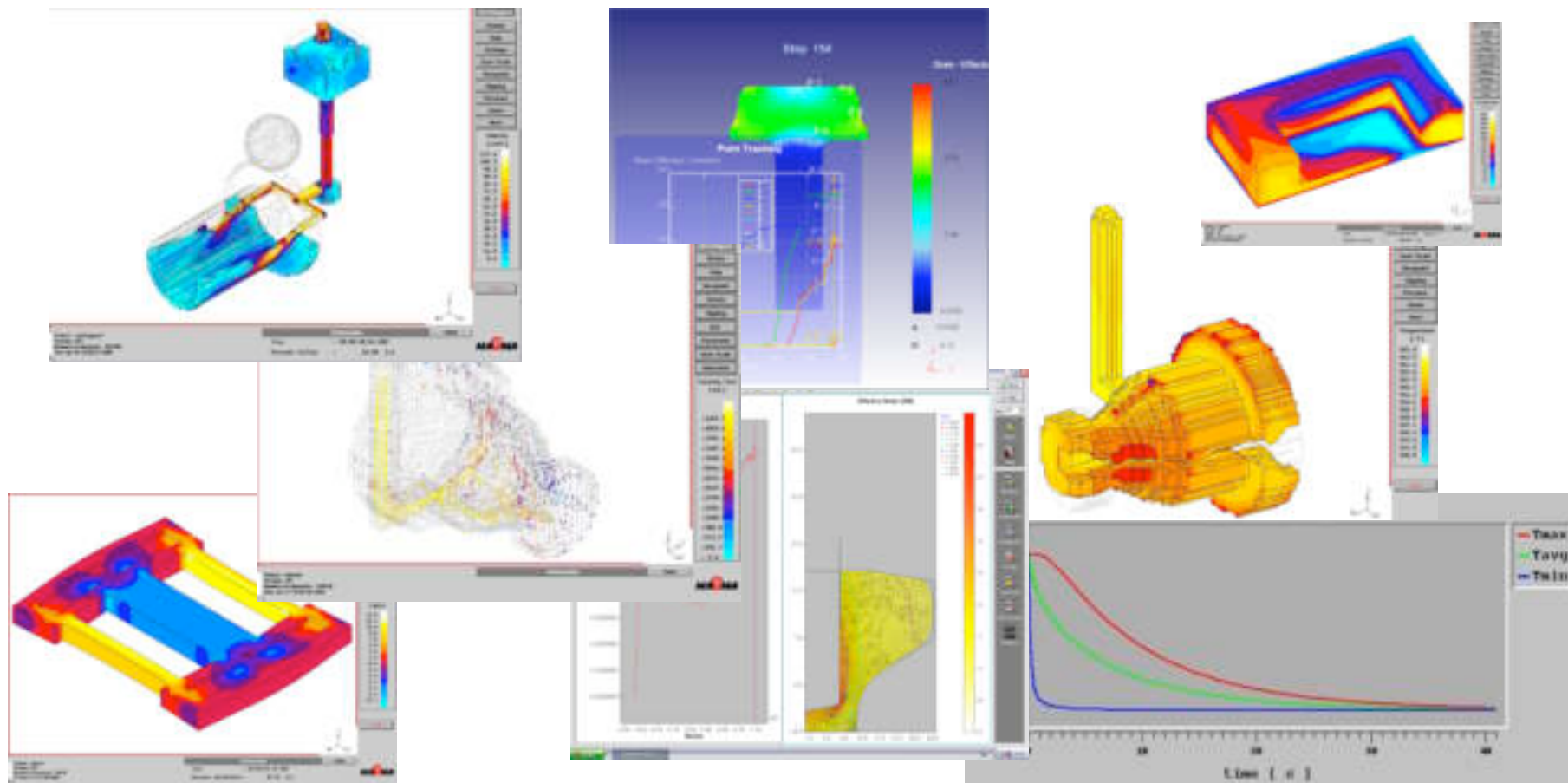


Results



Lecture (Denmark Technical University)

- Laboratory Course in Process Simulation
 - computer programs for simulation of metal casting, die casting of plastics as well as mechanical forming of metals



Exchange student life



Study



Travel



Food



Party